

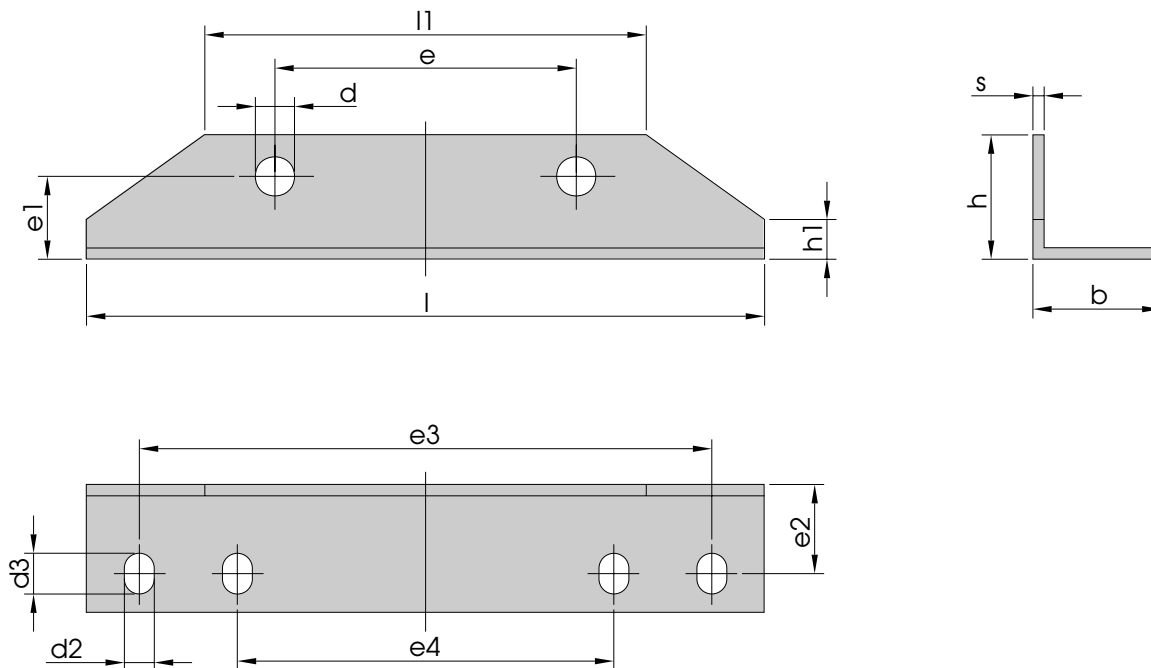
# BEFESTIGUNGSWINKEL

## MOUNTING BRACKETS / EQUERRES

### YUI 1 mit Verlängerung

IEC 852-3 / EN 60852-3

Befestigungswinkel / mounting brackets / equerres Typ UI 60 V bis UI 240 V



**Werkstoff:** Stahlblech verzinkt / Steel verz. / acier

Artikel-Nr.		für Typ	$l$	$l_1$	$b$	$h$	$h_1$	$d$	$d_2$	$d_3$	$e$	$e_1$	$e_2$	$e_3$	$e_4$	$s$
9200	YUI 1-20d	UI 60	108,0	60,0	24,0	22,5	4,0	4,8	4,8	8,0	40,0	16,5	14,0	96,0	50,0	2,0
9201	YUI 1-25d	UI 75	128,0	75,0	24,0	27,0	4,0	5,8	4,8	8,0	50,0	19,5	14,0	116,0	63,0	2,0
9202	YUI 1-30d	UI 90	159,0	90,0	34,5	32,0	6,0	8,0	7,0	12,0	60,0	22,0	19,5	141,0	76,0	3,0
9203	YUI 1-34d	UI 102	175,0	102,0	34,5	35,0	6,0	8,0	7,0	12,0	68,0	23,0	19,5	157,0	76,0	3,0
9204	YUI 1-38d	UI 114	191,0	114,0	34,5	40,5	6,0	11,0	7,0	12,0	76,0	26,5	19,5	173,0	100,0	3,0
9205		UI 120	209,0	120,0	39,0	42,0	6,0	11,0	7,0	12,0	80,0	28,0	23,0	191,0	100,0	3,0
9206	YUI 1-44d	UI 132	228,0	132,0	46,0	45,0	8,0	11,0	10,0	16,0	88,0	29,5	26,0	204,0	112,0	4,0
9207	YUI 1-50d	UI 150	252,0	150,0	46,0	51,0	8,0	11,0	10,0	16,0	100,0	34,5	26,0	228,0	124,0	4,0
9208	YUI 1-56d	UI 168	276,0	168,0	46,0	50,0	8,0	11,0	10,0	16,0	112,0	35,0	26,0	252,0	136,0	4,0
9209	YUI 1-60d	UI 180	292,0	180,0	46,0	55,0	8,0	11,0	10,0	16,0	120,0	35,0	26,0	268,0	144,0	4,0
9210	YUI 1-70d	UI 210	340,0	210,0	55,0	65,0	10,0	15,0	12,0	20,0	140,0	45,0	30,0	310,0	176,0	5,0
9211	YUI 1-80d	UI 240	392,0	240,0	63,0	75,0	12,0	15,0	14,5	24,0	160,0	50,0	33,0	356,0	196,0	6,0

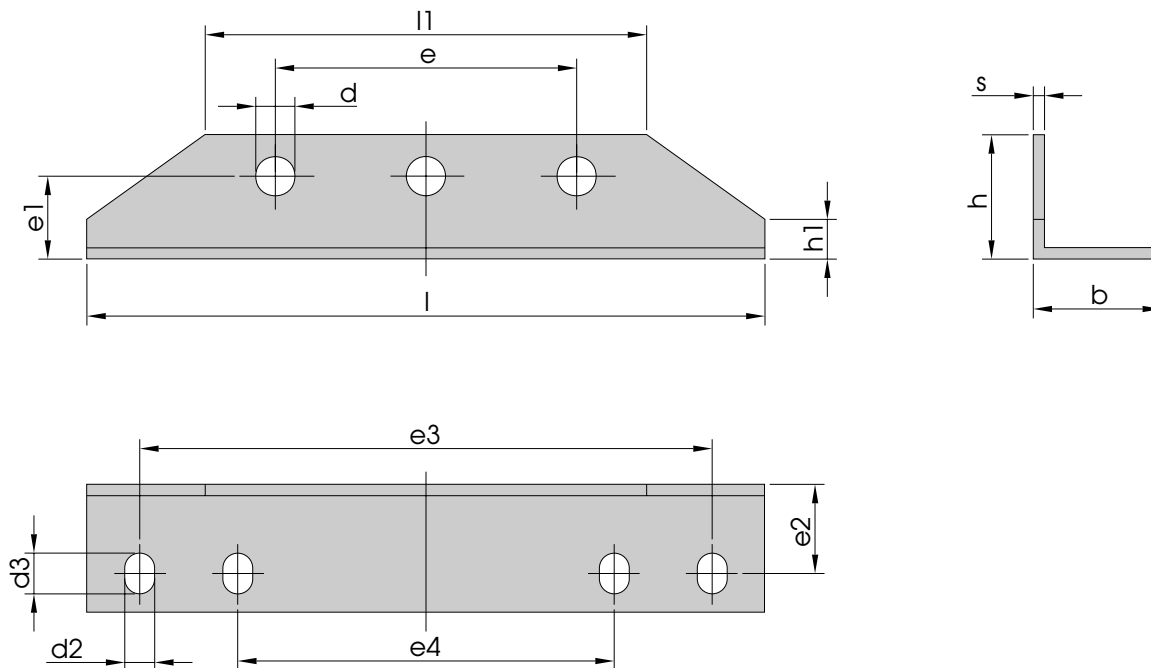
# BEFESTIGUNGSWINKEL

## MOUNTING BRACKETS / EQUERRES

### YUI 2 mit Verlängerung

IEC 852-4 / EN 60852-4

#### Befestigungswinkel / mounting brackets / equerres Typ 3 UI 60 V bis 3 UI 240 V



**Werkstoff:** Stahlblech verzinkt / Steel verz. / acier

Artikel-Nr.		für Typ	$l$	$l_1$	$b$	$h$	$h_1$	$d$	$d_2$	$d_3$	$e$	$e_1$	$e_2$	$e_3$	$e_4$	$s$
9250	YUI 2-20d	3UI 60	148,0	100,0	24,0	22,5	4,0	4,8	4,8	8,0	80,0	16,5	14,0	136,0	90,0	2,0
9251	YUI 2-25d	3UI 75	178,0	125,0	24,0	27,0	4,0	5,8	4,8	8,0	100,0	19,5	14,0	166,0	113,0	2,0
9252	YUI 2-30d	3UI 90	219,0	150,0	34,5	32,0	6,0	8,0	7,0	12,0	120,0	22,0	19,5	201,0	136,0	3,0
9253	YUI 2-34d	3UI 102	243,0	170,0	34,5	35,0	6,0	8,0	7,0	12,0	136,0	23,0	19,5	225,0	156,0	3,0
9254	YUI 2-38d	3UI 114	267,0	190,0	34,5	40,5	6,0	11,0	7,0	12,0	152,0	26,5	19,5	249,0	176,0	3,0
9255		3UI 120	291,0	210,0	39,0	42,0	6,0	11,0	10,0	18,0	160,0	28,0	23,0	273,0	185,0	3,0
9256	YUI 2-44d	3UI 132	316,0	220,0	46,0	45,0	8,0	11,0	10,0	16,0	176,0	29,5	26,0	292,0	200,0	4,0
9257	YUI 2-50d	3UI 150	352,0	250,0	46,0	51,0	8,0	11,0	10,0	16,0	200,0	34,5	26,0	328,0	224,0	4,0
9258	YUI 2-56d	3UI 168	388,0	280,0	46,0	50,0	8,0	11,0	10,0	16,0	224,0	35,0	26,0	364,0	248,0	4,0
9259	YUI 2-60d	3UI 180	412,0	300,0	46,0	55,0	8,0	11,0	10,0	16,0	240,0	35,0	26,0	388,0	264,0	4,0
9260	YUI 2-70d	3UI 210	480,0	350,0	55,0	65,0	10,0	15,0	12,0	20,0	280,0	45,0	30,0	450,0	316,0	5,0
9261	YUI 2-80d	3UI 240	552,0	400,0	66,0	75,0	12,0	15,0	14,5	24,0	320,0	50,0	36,0	516,0	356,0	6,0

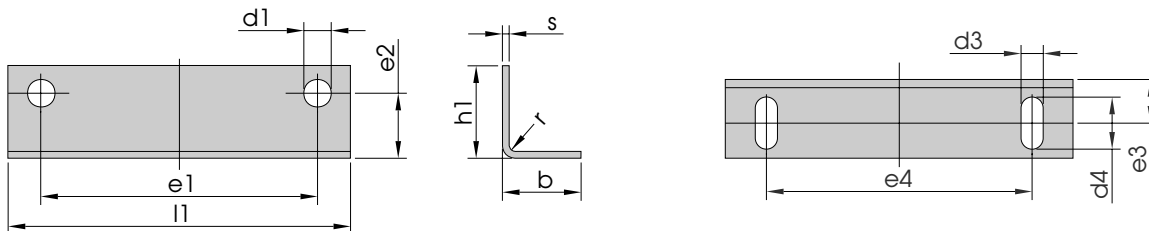
# BEFESTIGUNGSWINKEL

## MOUNTING BRACKETS / EQUERRES

### UI 90 bis UI 240 mit Verlängerung

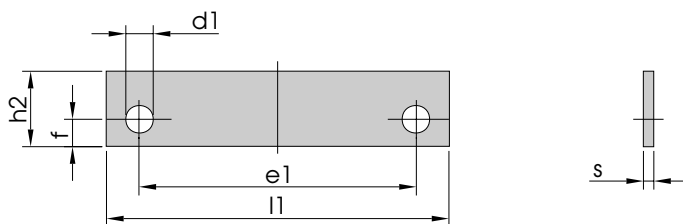
Artikel-Nr. 750–760

Befestigungswinkel / mounting brackets / equerres Typ UI 90 V bis UI 240 V



Artikel-Nr. 8750–8760

Druckstücke / mounting plates / barrettes de fixation Typ UI 90 V bis UI 240 V



**Werkstoff:** Stahlblech verzinkt / Steel verz. / acier

Bef.winkel Artikel-Nr.	Druckstücke Artikel-Nr.	für Typ	magn. Achse		b	d <sub>1</sub>	d <sub>3</sub>	d <sub>4</sub>	e <sub>1</sub>	e <sub>2</sub>	e <sub>3</sub>	e <sub>4</sub>	h <sub>1</sub>	h <sub>2</sub>	l <sub>1</sub>	r	s	f
			s.	w.														
750	8750	UI 90 V	x	–	22	8	7	13	60	22,0	12,5	76	32,0	20	120	2,5	2,0	10
751	8751	UI 102 V	x	–	23	8	7	13	68	23,0	15,0	76	35,0	25	136	2,5	2,5	12
752	8752	UI 114 V	x	–	25	11	7	13	76	26,5	15,5	100	40,5	25	152	2,5	2,5	12
753	8753	UI 120 V	x	–	27	11	7	13	80	28,0	15,0	100	42,0	28	160	2,5	2,5	14
754	8754	UI 132 V	x	–	30	11	10	18	88	29,5	15,0	112	45,0	28	176	2,5	2,5	14
755	8755	UI 150 V	x	–	35	11	10	18	100	34,5	21,0	124	51,0	30	200	4,0	3,0	15
756	8756	UI 168 V	x	–	40	11	10	18	112	35,0	26,0	136	50,0	35	224	6,0	4,0	16
758	8758	UI 180 V	x	–	45	11	10	18	120	35,0	31,0	144	45,0	35	240	6,0	4,0	16
759	8759	UI 210 V	x	–	50	15	13	20	140	45,0	35,0	176	65,0	45	280	6,0	4,0	22
760	8760	UI 240 V	x	–	55	15	13	20	160	50,0	37,0	196	75,0	50	320	6,0	4,0	25

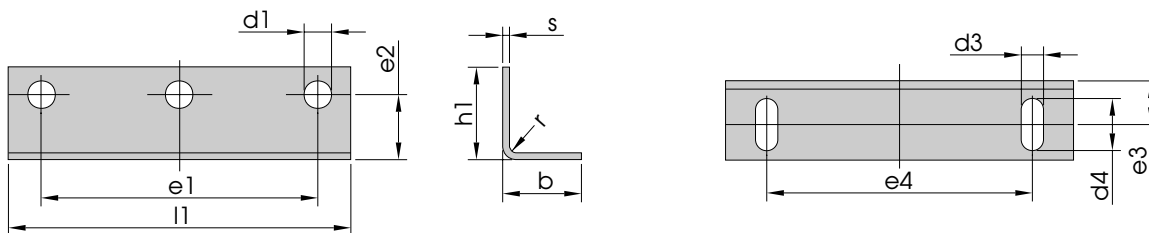
# BEFESTIGUNGSWINKEL

## MOUNTING BRACKETS / EQUERRES

### 3 UI 60 bis 3 UI 240 mit Verlängerung

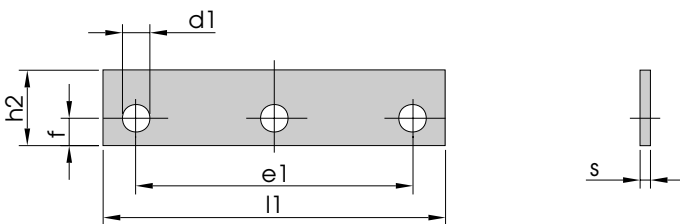
Artikel-Nr. 9162–9173

Befestigungswinkel / mounting brackets / equerres Typ 3 UI 60 V bis 3 UI 240 V



Artikel-Nr. 9562–9573

Druckstücke / mounting plates / barrettes de fixation Typ 3 UI 60 V bis 3 UI 240 V



**Werkstoff:** Stahlblech verzinkt / Steel verz. / acier

Artikel-Nr.	für Typ	magn. Achse		b	d <sub>1</sub>	d <sub>3</sub>	d <sub>4</sub>	e <sub>1</sub>	e <sub>2</sub>	e <sub>3</sub>	e <sub>4</sub>	h <sub>1</sub>	h <sub>2</sub>	l <sub>1</sub>	r	s	f
		s.	w.														
9162	EI 100 / 3 UI 60 V	x	–	20	4,5	5	8	80	12,0	12,0	100	18,0	20	125	2,5	2,0	12
9163	EI 125 / 3 UI 75 V	x	–	25	6,2	8	12	100	15,0	15,0	130	23,0	25	155	2,5	2,0	14
9164	EI 150 / 3 UI 90 V	x	–	25	7,8	8	12	120	20,0	13,0	170	30,0	25	190	2,5	2,5	16
9165	EI 170 / 3 UI 102/105 V	x	–	30	9 x 14	9	13	138	21,0	20,0	175	30,0	30	210	2,5	2,5	16
9166	EI 190 / 3 UI 114 V	x	–	25	11,0	9	13	152	26,5	15,5	176	40,5	25	230	2,5	2,5	14
9167	EI 200 / 3 UI 120 V	x	–	28	11,0	10	18	160	27,5	17,0	185	43,0	28	240	2,5	2,5	14
9168	EI 220 / 3 UI 132 V	x	–	30	11,0	10	18	176	29,5	15,0	200	45,0	28	265	2,5	2,5	14
9169	EI 250 / 3 UI 150 V	x	–	35	11,0	10	18	200	34,5	21,0	224	51,0	30	300	4,0	3,0	15
9170	EI 280 / 3 UI 168 V	x	–	40	11,0	10	18	224	35,0	26,0	248	50,0	35	340	6,0	4,0	18
9171	EI 300 / 3 UI 180 V	x	–	45	11,0	10	18	240	35,0	32,0	264	45,0	35	360	6,0	4,0	18
9172	EI 350 / 3 UI 210 V	x	–	50	15,0	13	20	280	45,0	35,0	316	65,0	45	420	6,0	4,0	22
9173	EI 400 / 3 UI 240 V	x	–	55	15,0	13	20	320	50,0	37,0	356	75,0	50	480	6,0	4,0	24